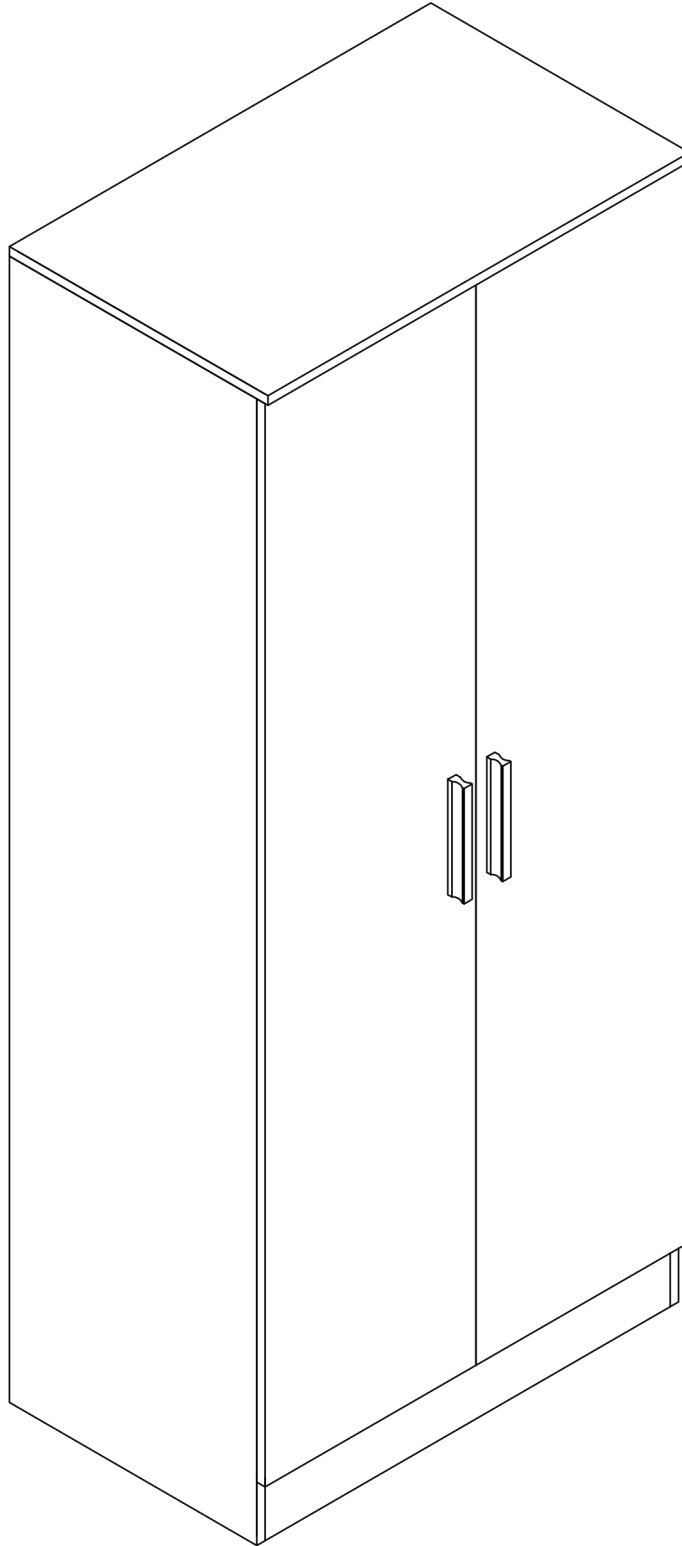




WOODLERS












— WHERE SLEEP MATTERS —

# ALICE WARDROBE ASSEMBLY INSTRUCTIONS

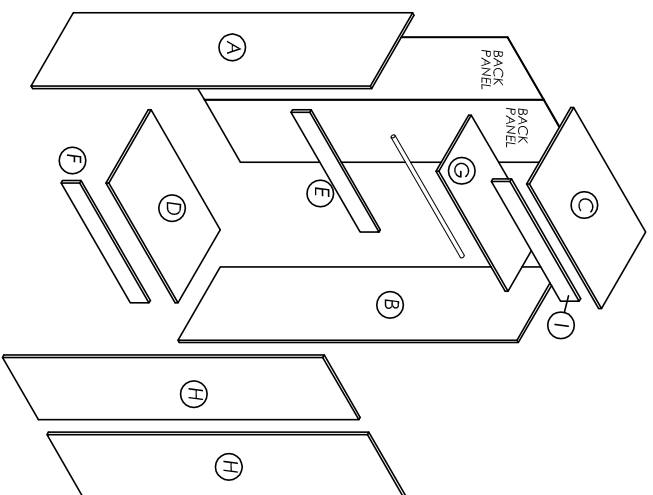


*2 Door Wardrobe*

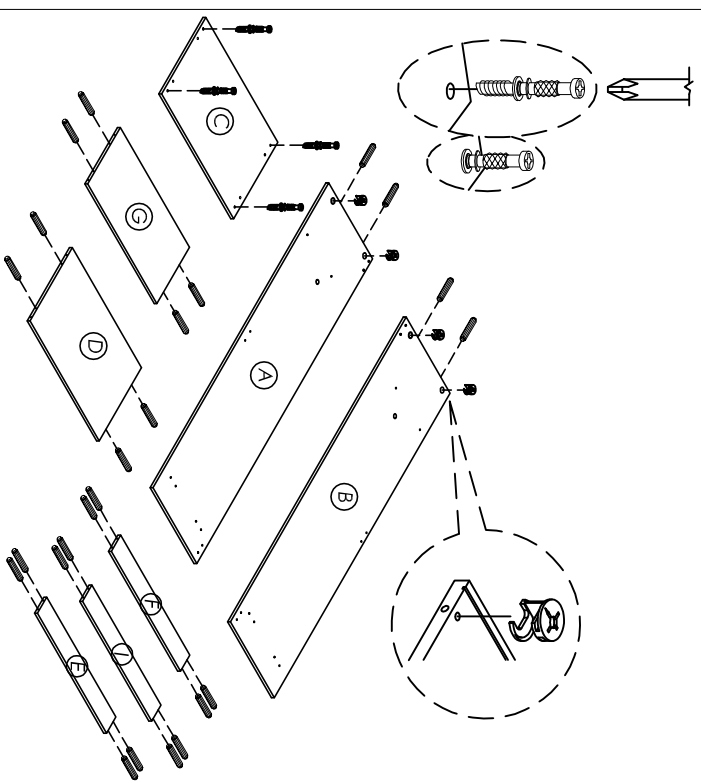
**HARDWARE & FITTING**

1		JCBC M6 x 40mm SCREW : 10pcs
2		Wooden Dowel M6 x 30mm : 24pcs
3		Nail Pin : 28pcs
4		Handle (96 x 64) : 2pcs
5		Nail leg : 4pcs
6		Metal Hanger = 740mm - 1pcs
7		Hinges 5/8" : 6pcs
8		CSK M3.5 x 16mm : 24pcs
9		MiniFix : 4pcs
10		Handle Screw M4 x 20 : 4pcs
11		Allen Key : 1pcs

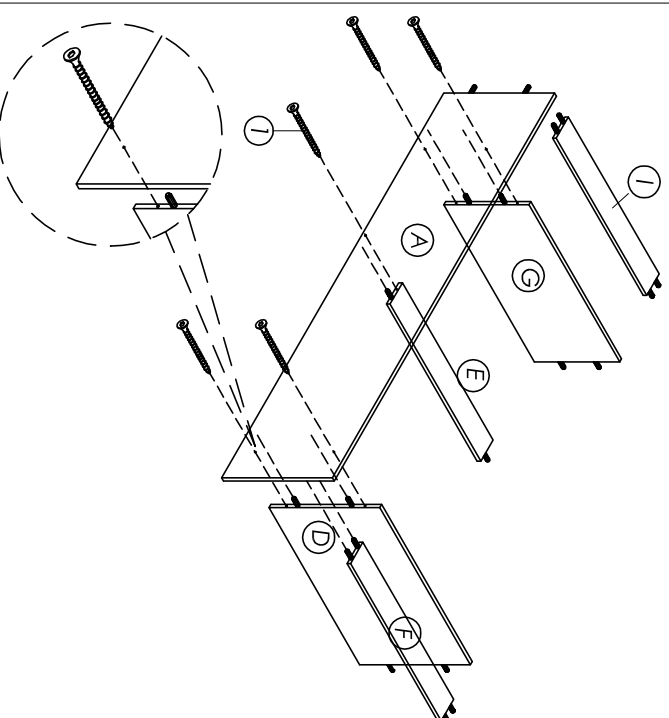
STEP 1



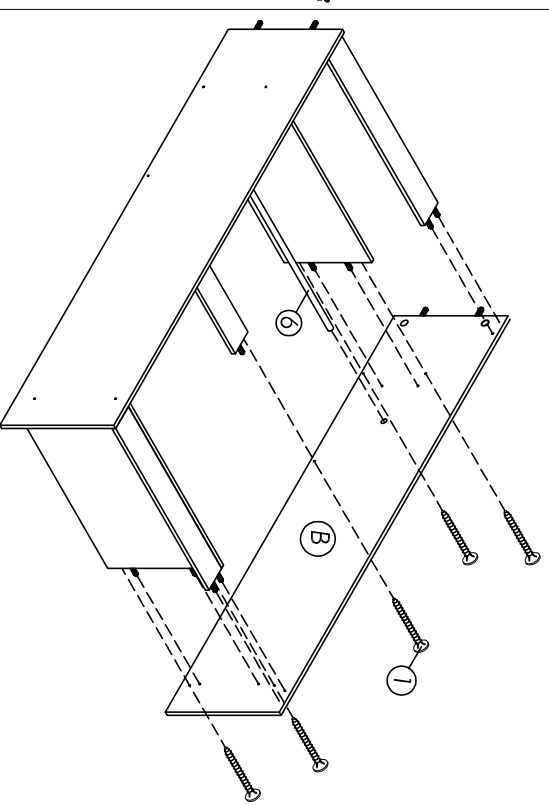
STEP 2



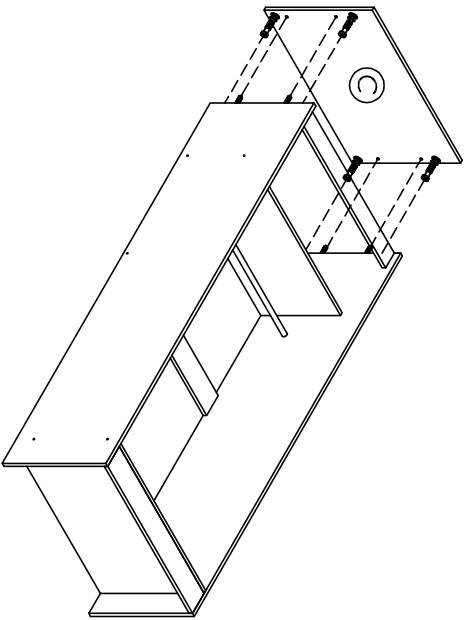
STEP 3



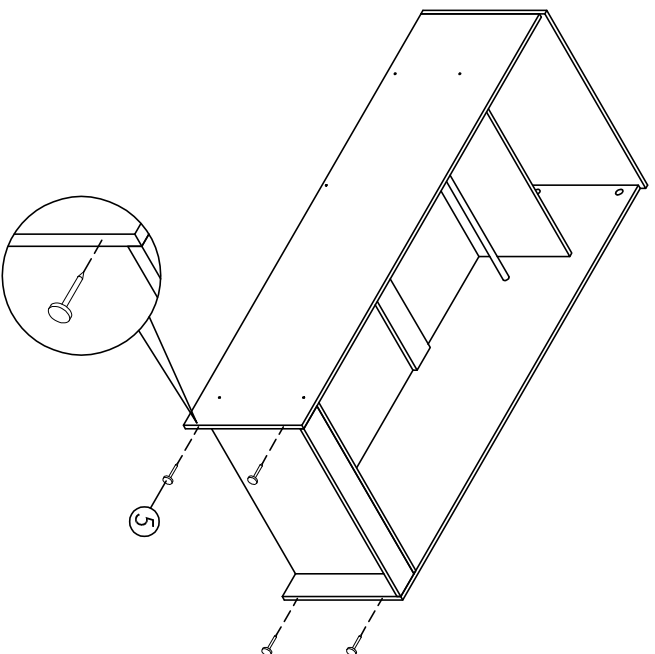
STEP 4



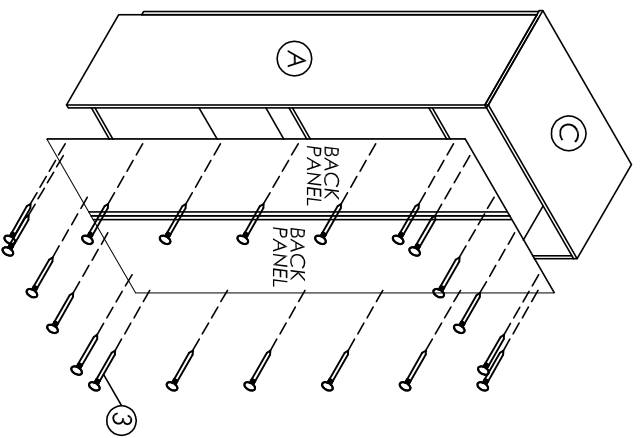
STEP 5



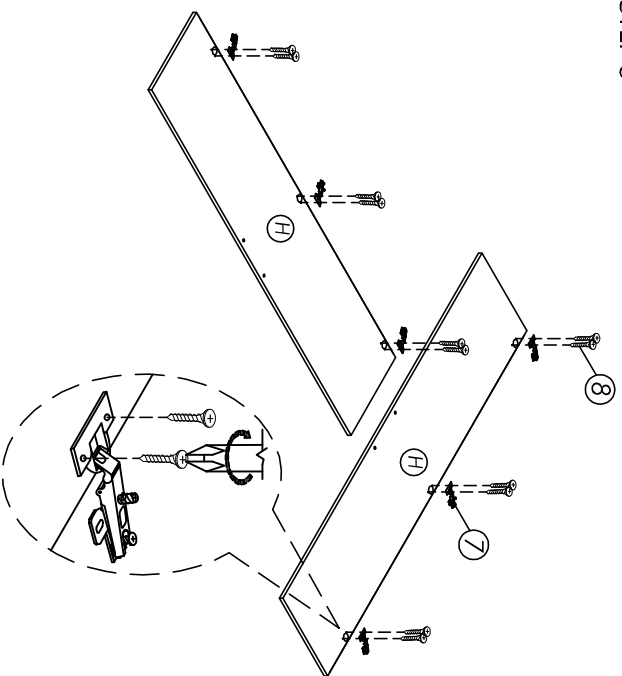
STEP 6



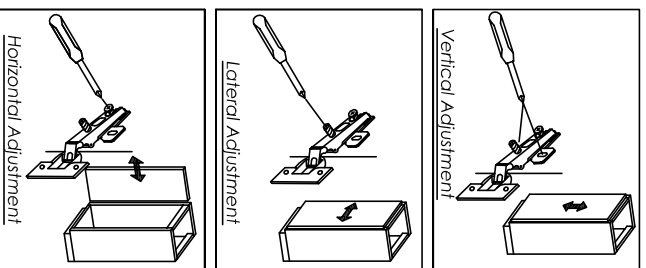
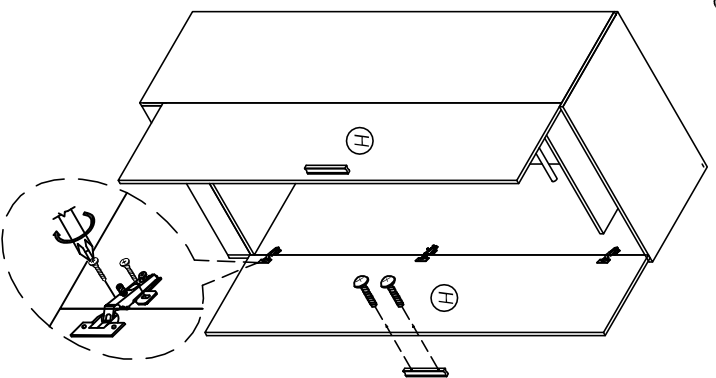
STEP 7



STEP 8



STEP 9



STEP 10

