

Step-1

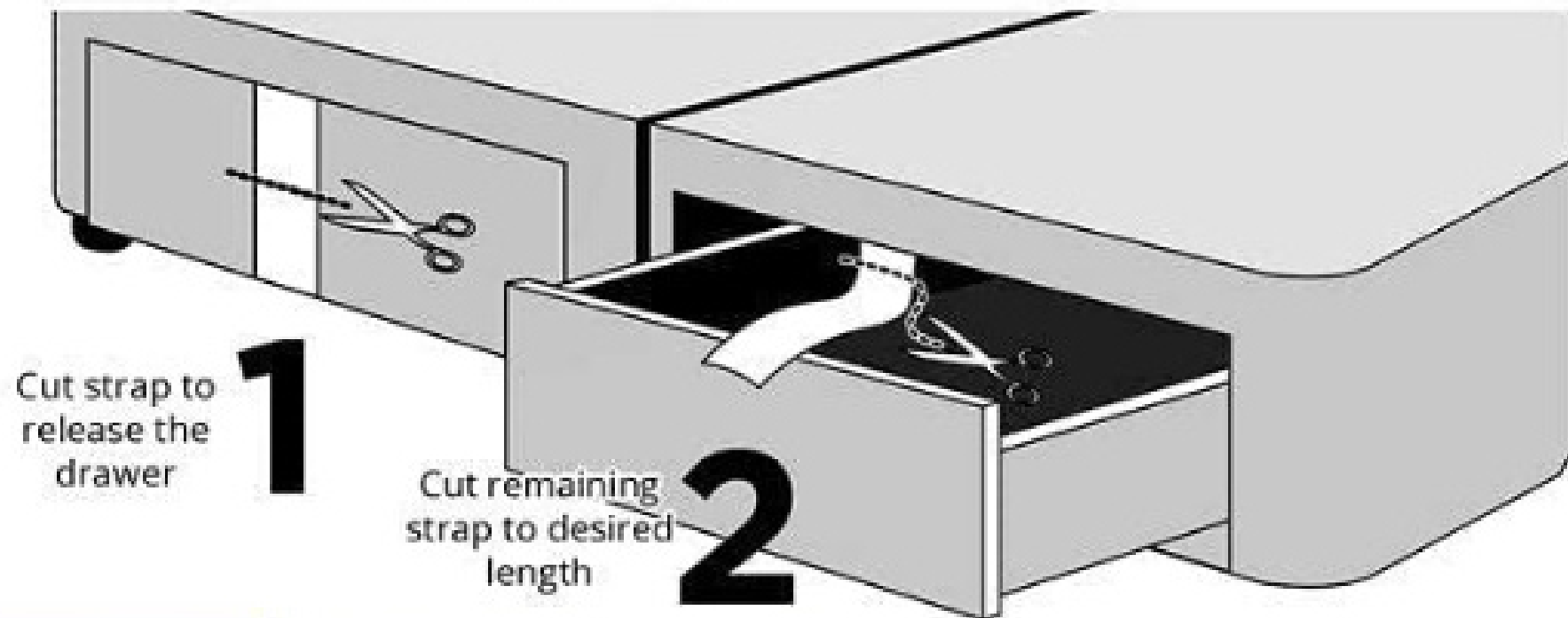
Removing Drawer Straps



WOODLERS
— WHERE SLEEP MATTERS —

Firstly, please make sure to open your packaging and assemble your divan in a clean and safe environment as you can mark or damage your items otherwise. If you have purchased drawers with your divan then follow the below instructions. If you do not have drawers, move on to Step 2.

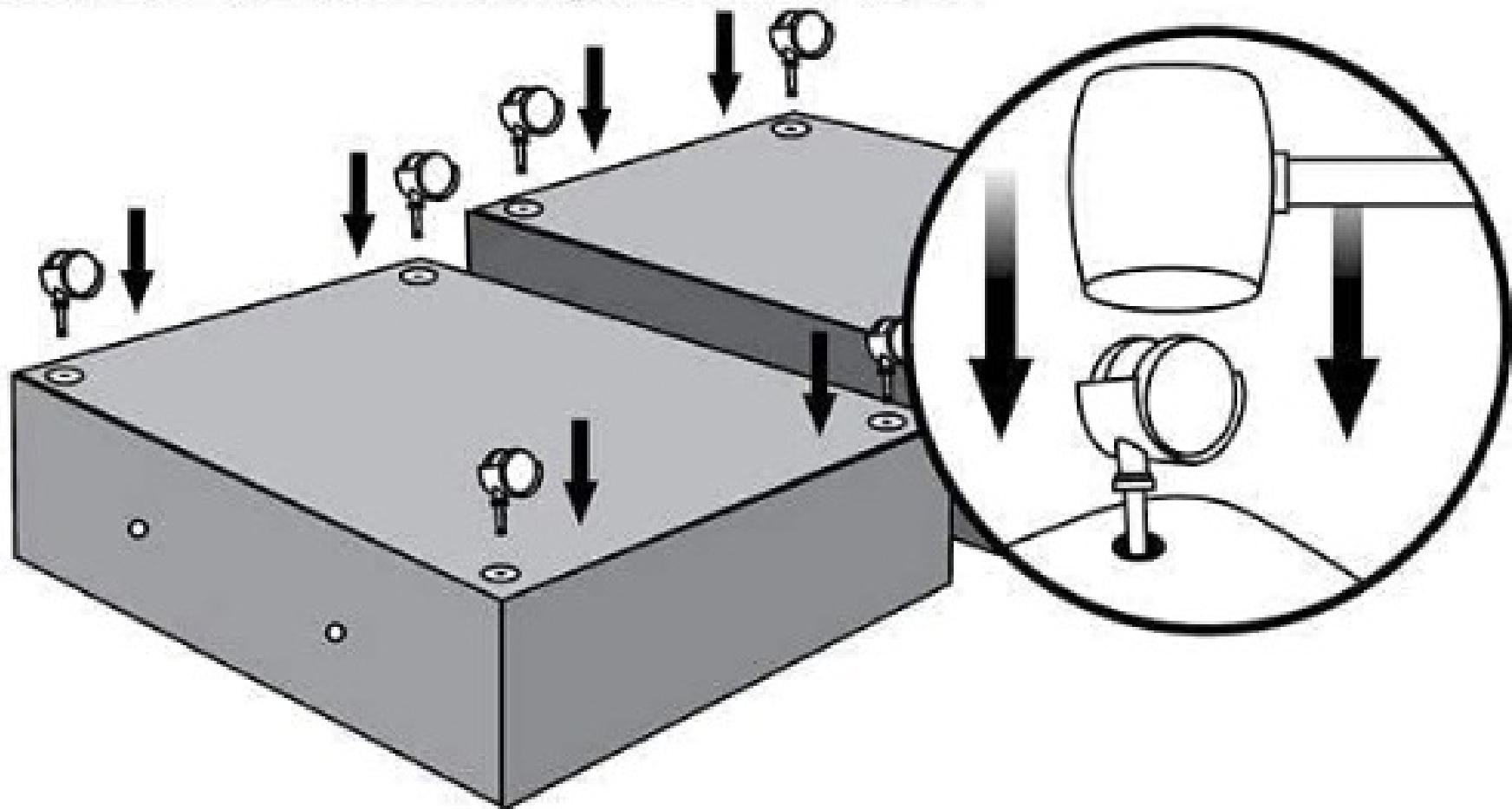
Drawer retaining straps ensure your drawers do not slide open during transit. They are stapled on the inside of the divan. You can either carefully release the straps from the fastening point or simply cut them away as detailed in the image below. Maximum drawer weight is 15kg. **Do not overload the drawers.** Your fittings are usually stored inside the drawers, remove them. Now follow Step 2.



Step-2 *Assembling Divan Feet*

Turn the divan base over so the underside is accessible. Gently push the castors or divan feet into the pre-drilled holes and gently tap them into place. There may be some fabric cover the holes, use a screw driver or the socket on the wheel to puncture through the fabric. Use a rubber mallet if required.

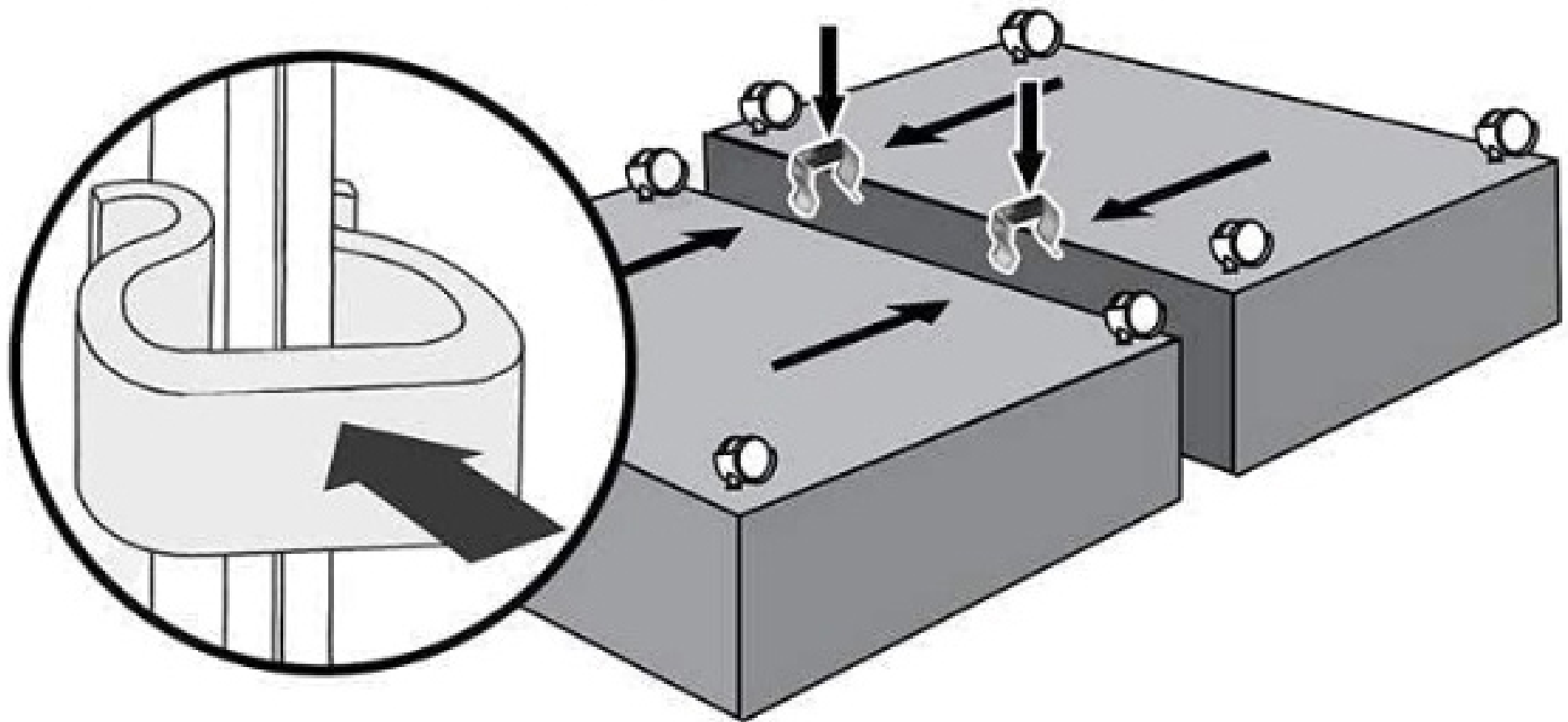
Please do not use excessive force. When all castors/feet have been fitted to all the corners of both divan bases securely. Now follow Step 3.



Step-3 *Attaching Divan Clips*

If you have a 2FT6 or 3FT divan then go to **Step 3**. If you have a 4FT, 4FT6, 5FT or 6FT divan then follow this step. Locate your suitable location for your divan clips. Carefully peel back the dust sheet place the clips over both divan edges. Gently push the clips into place. If you find it easier, you can put the divan bases on their side to attach the clips.

When all divan clips have been fitted, ask a friend or family member to assist you. Carefully lift both halves together and turn it over on to its feet. Now follow Step 4.



Step-4 Attaching Divan Headboard

Firstly, decide which end of the bed is to be used for a headboard. Place the headboard bolt into the hole and fasten into place. Then get your 2 headboard struts and screw them in to the headboard with the headboard screws provided.

Stickers on the divan should show you where the holes are, if these have come off in transit feel the fabric and you can locate them. Now lower the headboard into position before fully tightening the bolt (bolt/washer cap may vary). Now you can put your mattress on the divan, make sure that your headboard sits above the mattress.

